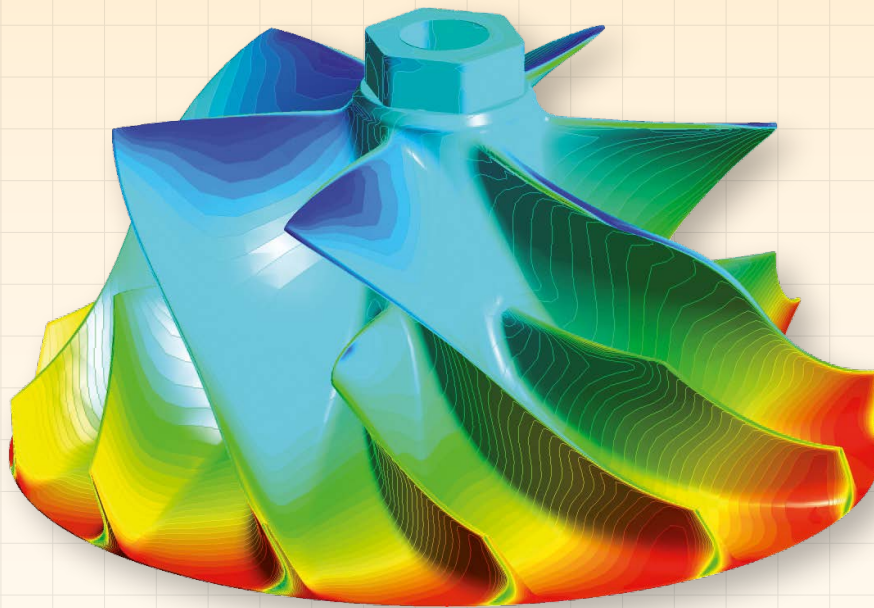


# TURBOMACHINERY ENGINEERING SERVICES

CONCEPTUAL DESIGN

CAE/CFD/FEA  
CONSULTING

3D-CAD,  
DRAWINGS



CAE-PROCESS  
AUTOMATION

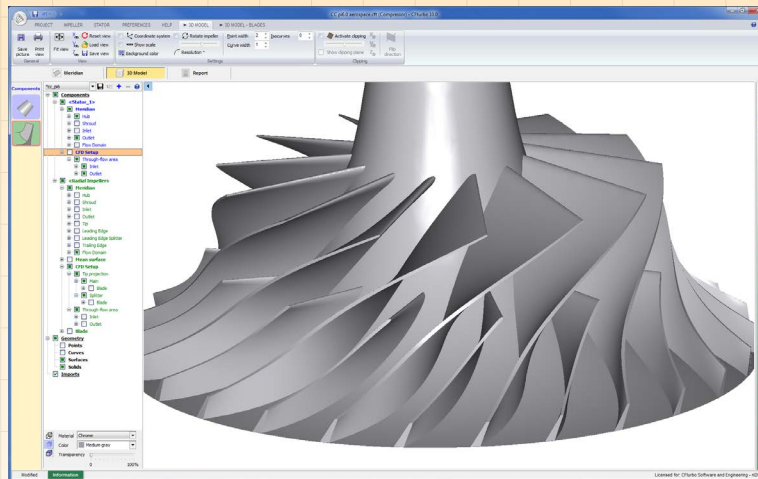
OPTIMIZATION

PROTOTYPING

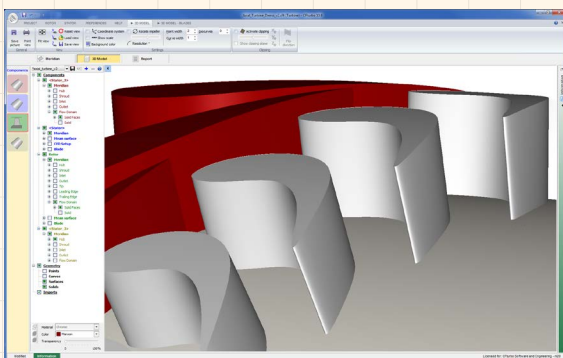
## Engineering Services – Compressors and Turbines

The company CFturbo® offers comprehensive engineering services for compressors and turbines. It comprises conceptual design of Turbomachinery components, CFD-, FEA- and rotor-dynamic simulations and optimization, as well as CAD-services, prototyping and testing.

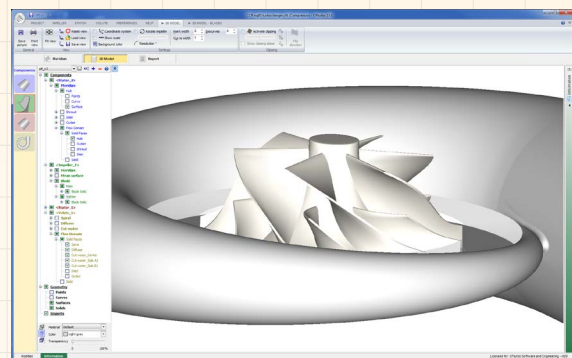
# TURBOMACHINERY DESIGN SOFTWARE



MIXED-FLOW COMPRESSORS



AXIAL AND RADIAL TURBINES



CENTRIFUGAL COMPRESSORS

## Turbomachinery Design Software – Compressors and Turbines

CFturbo® is an interactive design tool to create compressor and turbine components from scratch or to re-design existing parts. It covers design steps for impeller main dimensions, meridional contours, and blading, as well as for vaned and vaneless stators, return channels and volutes.